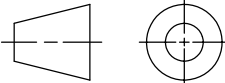


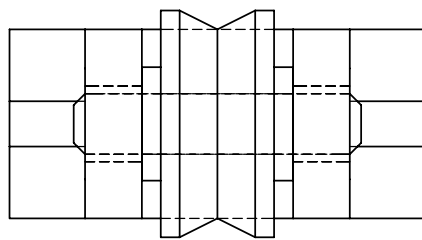
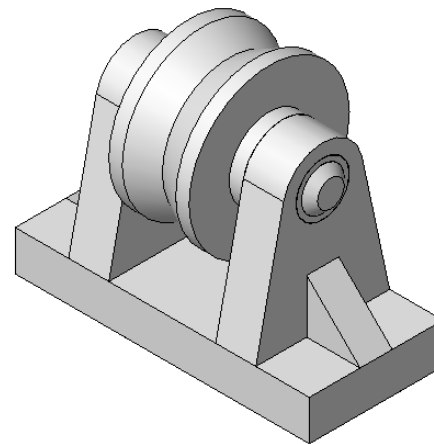
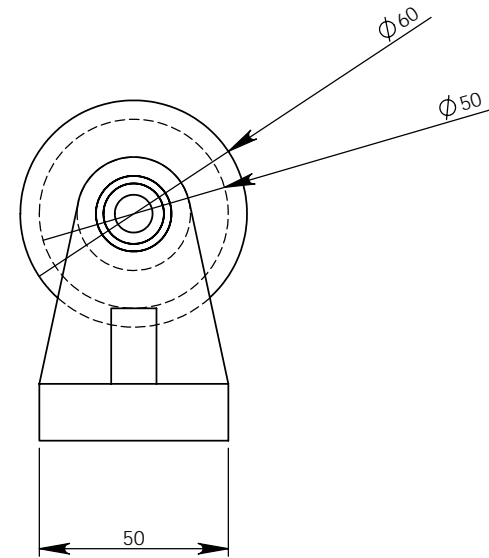
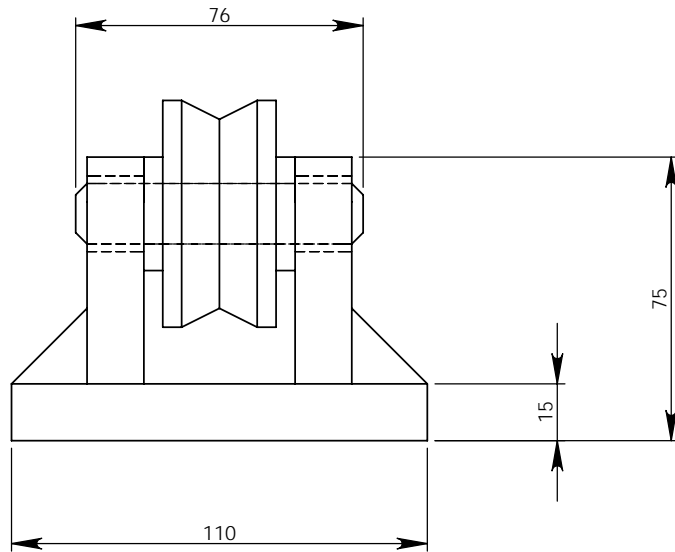
Product Design using SolidWorks® Educational Material and Resources

LESSON EIGHT - EXERCISE THREE -Required Drawing -

[<< Return](#)

© Stephen Burke

<p>PROPRIETARY AND CONFIDENTIAL THE INFORMATION CONTAINED IN THIS DRAWING IS THE SOLE PROPERTY OF THE DESIGNER. ANY REPRODUCTION IN PART OR AS A WHOLE WITHOUT THE WRITTEN PERMISSION OF THE DESIGNER IS PROHIBITED.</p>	<p>UNLESS OTHERWISE SPECIFIED DIMENSIONS ARE IN MILLIMETERS TOLERANCES ARE: XXX (0 PLS) ±0.5MM XX.X (1 PLS) ±0.1MM X.XX (2 PLS) ±0.03MM UNLESS OTHERWISE NOTED</p>	<p>CAD GENERATED DRAWING DO NOT MANUALLY UPDATE</p>	<p>UNIVERSITY OF LIMERICK</p>		
	MATERIAL	<p>APPROVALS</p>	<p>TITLE: Cover_Page</p>		
	FINISH: BREAK ALL SHARP EDGES R0.13 MAX	<p>DESIGNER: STEPHEN BURKE</p>	<p>FILE NAME: Pulley_Assembly</p>		
	DO NOT SCALE DRAWING	<p>APPROVED:</p>	<p>DIRECTORY: C:\Documents and Settings\Administrator\Desktop\solidworks\Lesson8\</p>		
		<p>DATE: 05/05/2004</p>		<p>SIZE A4</p>	<p>DWG. NO. :1</p>
			<p>SCALE:1:2</p>	<p>SIGNATURE:</p>	<p>SHEET 1 OF 3</p>

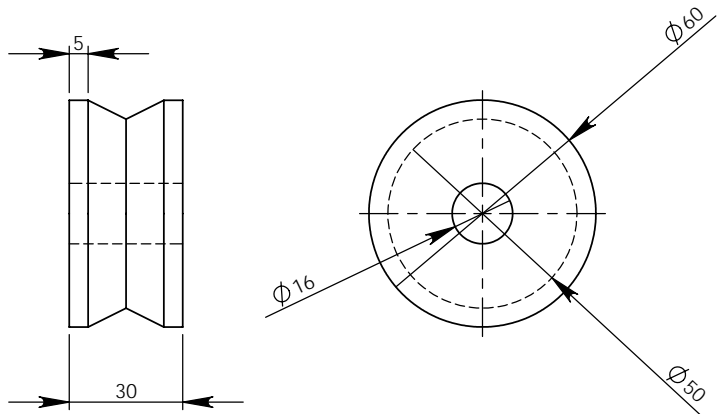
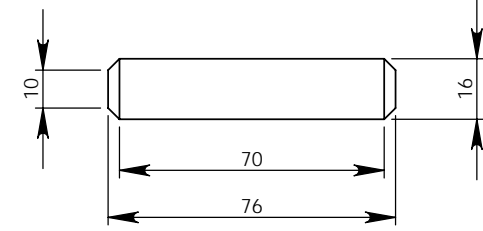
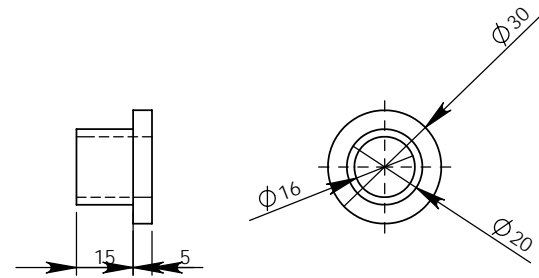
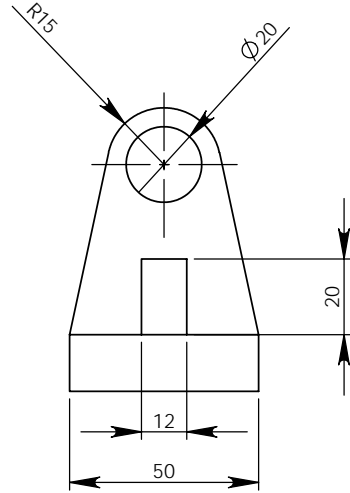
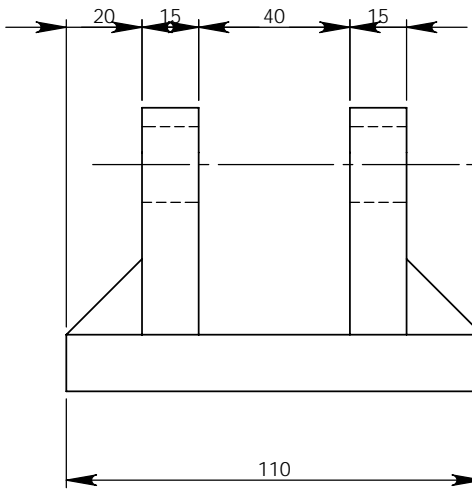


REQUIRED DRAWING

PROPRIETARY AND CONFIDENTIAL
 THE INFORMATION CONTAINED IN THIS DRAWING IS THE SOLE PROPERTY OF THE DESIGNER. ANY REPRODUCTION IN PART OR AS A WHOLE WITHOUT THE WRITTEN PERMISSION OF THE DESIGNER IS PROHIBITED.

INSTRUCTIONS:
 INCLUDE FIVE OR MORE DRIVEN/ MANUAL DIMENSIONS

UNLESS OTHERWISE SPECIFIED DIMENSIONS ARE IN MILLIMETERS TOLERANCES ARE: XXX (0 PLS) $\pm 0.5\text{MM}$ XX.X (1 PLS) $\pm 0.1\text{MM}$ X.XX (2 PLS) $\pm 0.03\text{MM}$ UNLESS OTHERWISE NOTED	CAD GENERATED DRAWING DO NOT MANUALLY UPDATE	UNIVERSITY OF LIMERICK	
	APPROVALS	TITLE: REQUIRED DRAWING	
MATERIAL -----	DESIGNER: STEPHEN BURKE	FILE NAME: Pulley_Assembly	
FINISH: BREAK ALL SHARP EDGES R0.13 MAX	APPROVED:	DIRECTORY: C:\Documents and Settings\Administrator\Desktop\solidworks\Lesson8\	
DO NOT SCALE DRAWING	DATE: 05/05/2004	SIZE A4	DWG. NO. :2 REV. 1
		SCALE:1:2	SIGNATURE: SHEET 2 OF 3



PROPRIETARY AND CONFIDENTIAL
 THE INFORMATION CONTAINED IN THIS DRAWING IS THE SOLE PROPERTY OF THE DESIGNER. ANY REPRODUCTION IN PART OR AS A WHOLE WITHOUT THE WRITTEN PERMISSION OF THE DESIGNER IS PROHIBITED.

UNLESS OTHERWISE SPECIFIED DIMENSIONS ARE IN MILLIMETERS TOLERANCES ARE: XXX (0 PLS) ±0.5MM XX.X (1 PLS) ±0.1MM X.XX (2 PLS) ±0.03MM UNLESS OTHERWISE NOTED
MATERIAL -----
FINISH: BREAK ALL SHARP EDGES R0.13 MAX
DO NOT SCALE DRAWING

CAD GENERATED DRAWING DO NOT MANUALLY UPDATE
APPROVALS
DESIGNER: STEPHEN BURKE
APPROVED:
DATE: 05/05/2004

UNIVERSITY OF LIMERICK		
TITLE: EXAM QUESTION		
FILE NAME: Pulley_Assembly		
DIRECTORY: C:\Documents and Settings\Administrator\Desktop\solidworks\Lesson8\		
SIZE A4	DWG. NO. :3	REV. 1
SCALE:1:2	SIGNATURE:	SHEET 3 OF 3