

WOODWORK PROJECT : SIMPLE PUZZLE

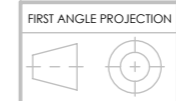
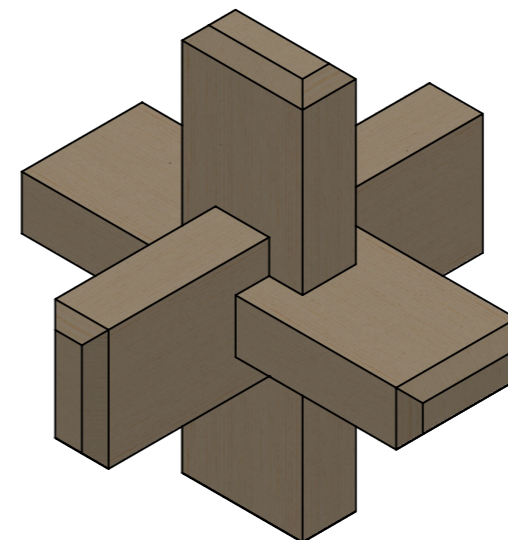
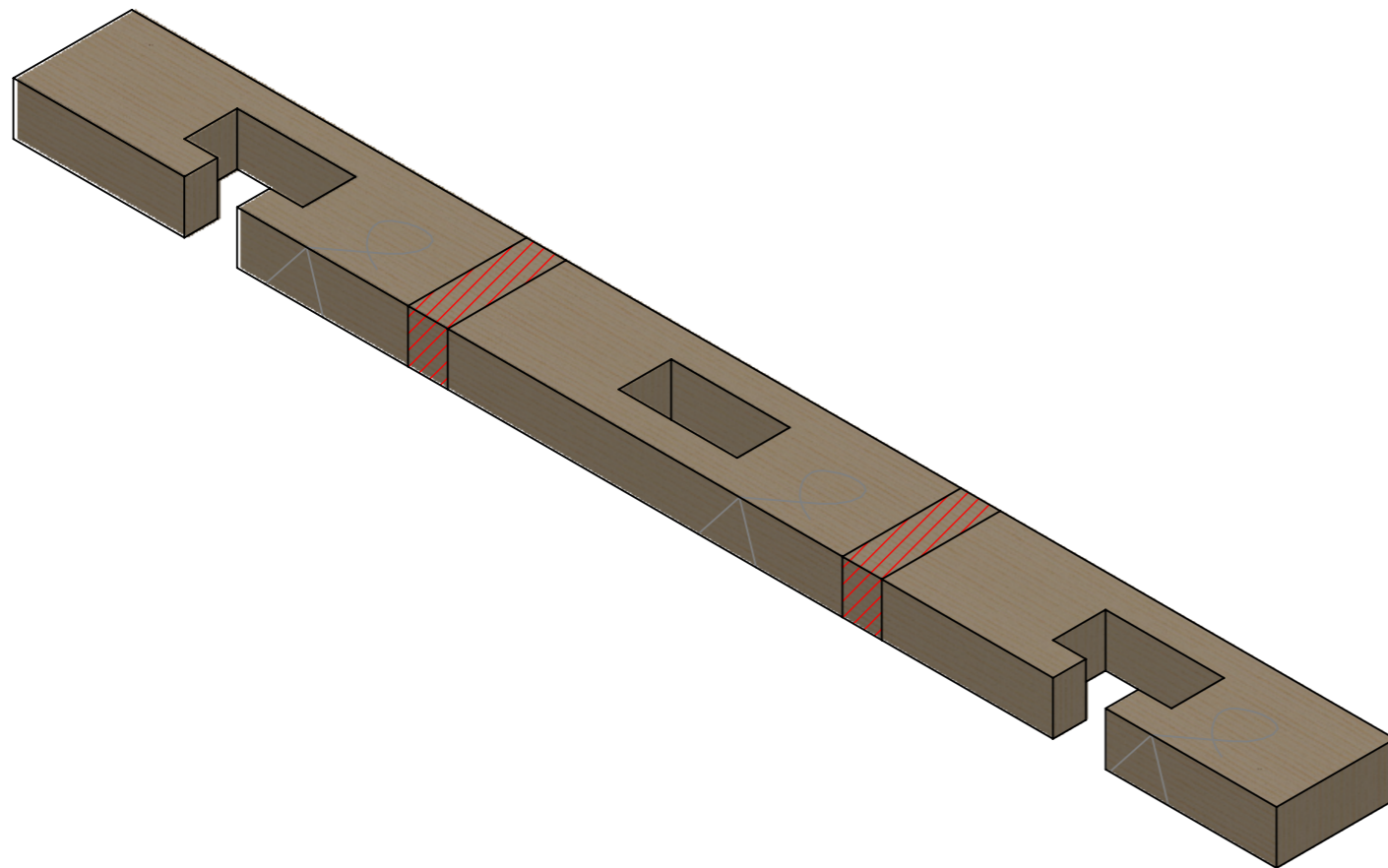
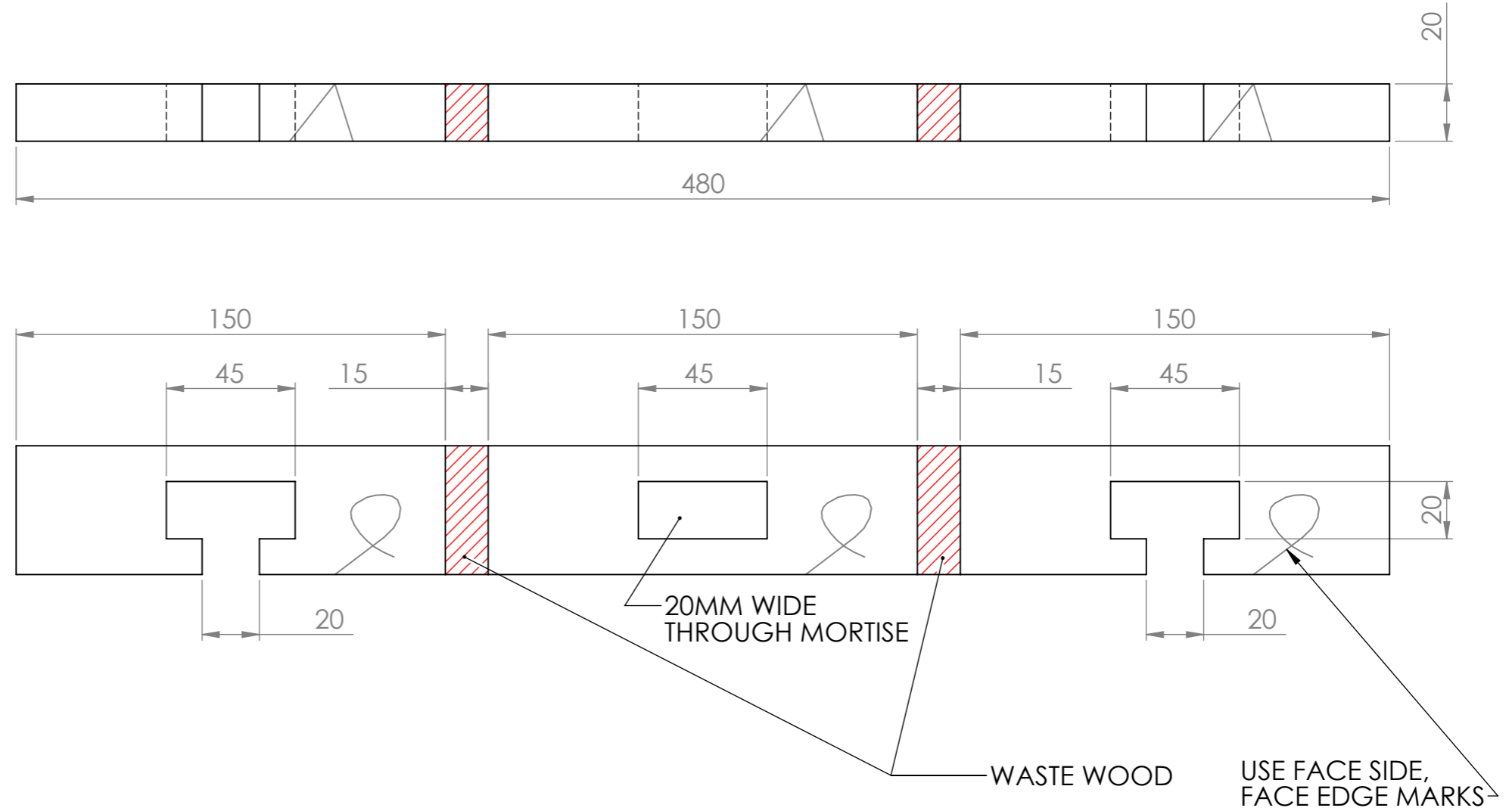
ACTIVITIES INVOLVED:

- MARKING OUT
- MORTISING
- SAWING
- PLANING OF TIMBER (CHAMFER)

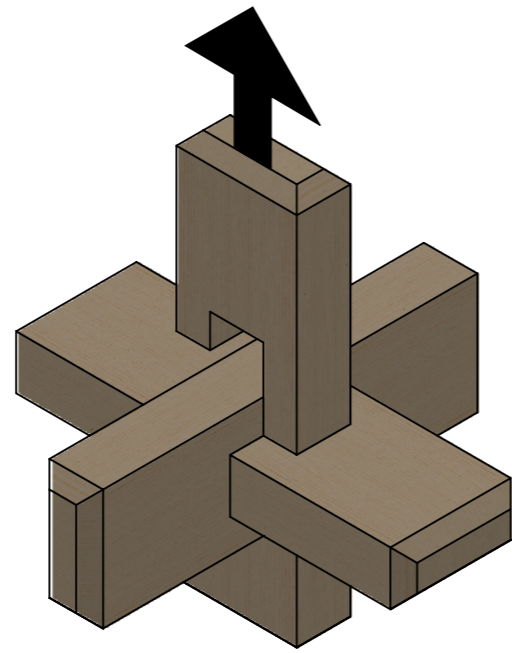
HIGH ACCURACY REQUIRED. THE TIGHTER THE COMPLETED PUZZLE THE MORE DIFFICULT THE CHALLENGE!

OPTIONAL FINISH:

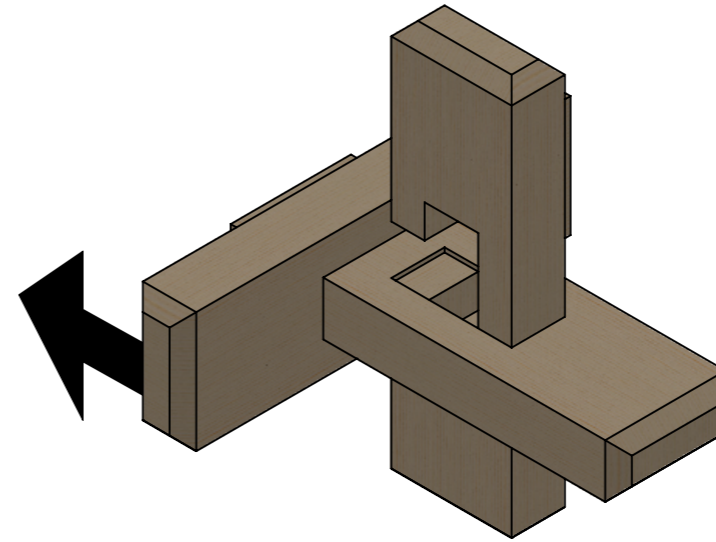
1 COAT OF CLEAR VARNISH
(THIS WILL HELP PREVENT EXCESSIVE WEAR)



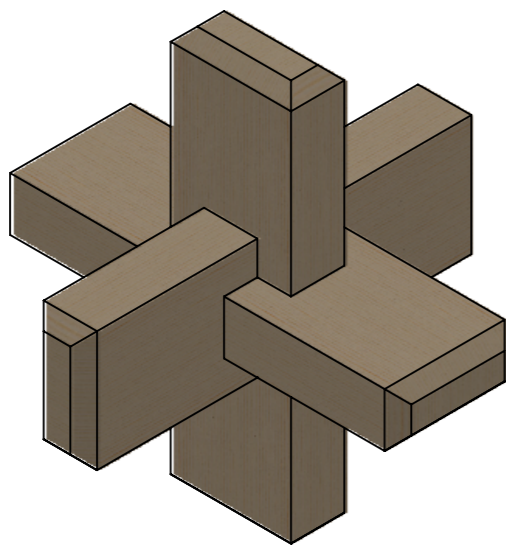
DO NOT SCALE DRAWING	MATERIAL: RED DEAL (PINE)
DESCRIPTION: PUZZLE MARK-OUT	
STOCK SIZE: 45 x 20 x 470	A3
STEPHEN BURKE (sburke.eu)	SHEET 1 OF 2
DATE: 18/08/2010	



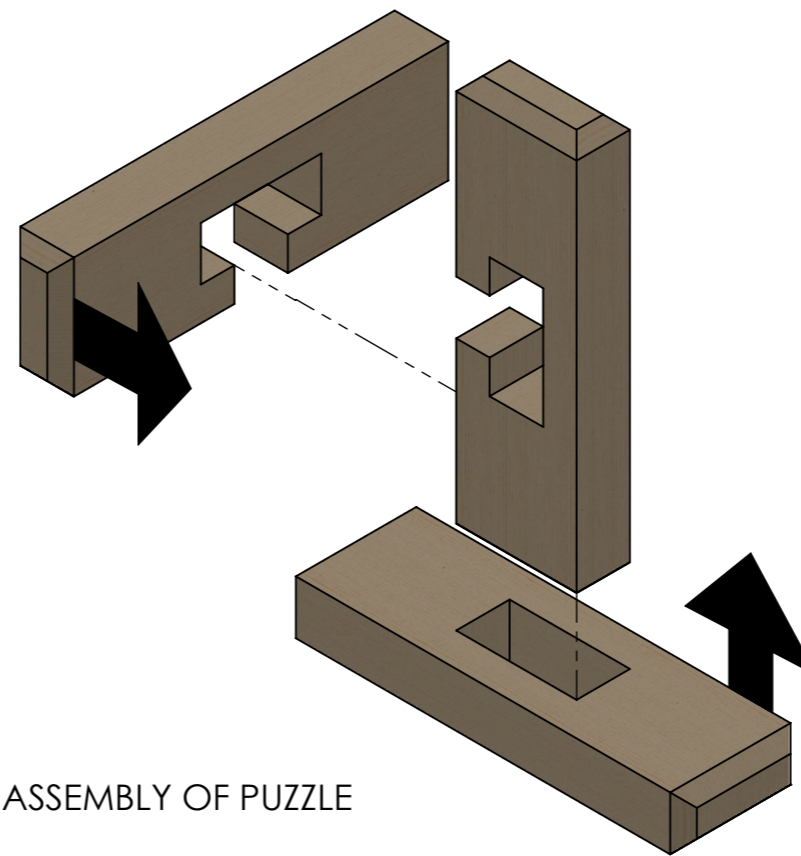
STEP 1: DISASSEMBLE



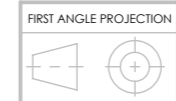
STEP 2: DISASSEMBLE



ASSEMBLED PUZZLE



ASSEMBLY OF PUZZLE



DO NOT SCALE DRAWING		MATERIAL: RED DEAL (PINE)	
DESCRIPTION:			
PUZZLE ASSEMBLY			
STOCK SIZE: 45 x 20 x 470		A3	
STEPHEN BURKE (sburke.eu)	SHEET 2 OF 2	DATE: 18/08/2010	